

Precise, Compact, Rugged Oxygen Measurement

High performance and robust operation make the 4710 a great alternative to conventional zirconium oxide and paramagnetic oxygen analyzers in both process control applications and conventional extractive CEMS.



Building upon the success of our Model 4705, the Brand-Gaus Model 4710 Oxygen Analyzer is the ideal choice for measuring oxygen concentrations in the most demanding monitoring applications.

Meets or exceeds all drift, noise, and relative accuracy specs for 40-CFR60 and 40-CFR75.

Remote Sensor - can be placed right at the source

Our compact, highly-engineered oxygen sensor offers maximum flexibility for placement right where you need it.

- Can be located more than 50 feet from the analyzer
- Consumes only 10 Watts
- Small enough to fit in tight spaces, right next to process
- Can be directly in-line with heated sample line
- Measures O₂ in dry or hot/wet sample streams



Sensor shown with customer supplied tube fittings

Measurement Down to Zero Percent Oxygen

Our unique linear output zirconium oxide sensor consists of two back-to-back zirconia cells in a single monolithic structure. Logarithmic response is avoided so the 4710 can measure down to zero oxygen concentration and **nitrogen can be used** to calibrate zero response.

Minimal Rack Space Required – one half rack unit

With the sensor remotely located, the analyzer only takes up only 1/2 of one rack unit – 1/4 the rack space of the Model 4705.



New for the 4710
One fourth the rack space
Simplified calibration – no screwdrivers or pots
Both RS-485 digital comms and analog output
Linearity better than 0.1% O ₂
Soft-start heater power, increased resistance to thermal shock
Longer sensor life due to higher reference cell bias

Performance Specifications

Measurement range: Adjustable between zero and 50% O₂

Precision: 0.01% O₂

Zero drift: ±0.02% O₂ per month

Span drift: ±0.1% O₂ per month

Linearity error: less than .1% O₂

Absolute accuracy: 1% of value

Response time: T95: 10 seconds

Sensor Connections

1/4" NPT inlet and outlet ports

5-conductor cable, 24" long x .25 typical, extension cables available

Mechanical and Electrical

EIA 19" rackmount enclosure: 1 rack unit tall x 1/2 rack wide
 9-3/8"x1-3/4"x 5-5/8" overall, 7 lbs.

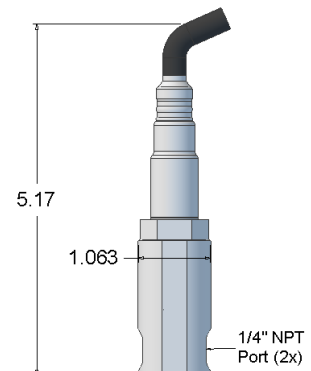
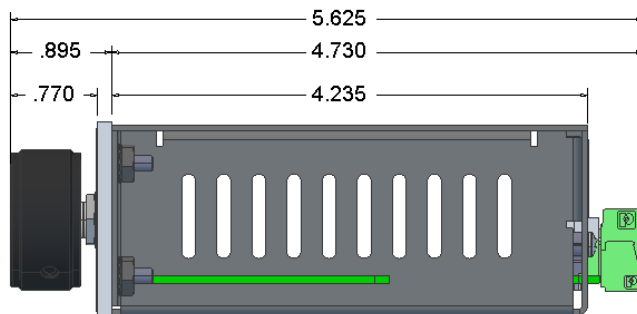
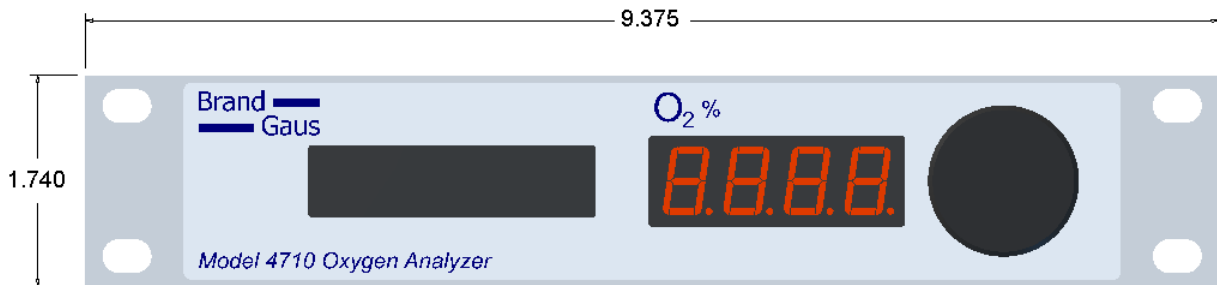
Rackmount kits available for single or dual side-by-side mounting

Power: 24V, 1A operation (external 115VAC power supply available)

Interface Specifications

Isolated Analog Output: 4-20 mA maps 0 to full scale concentration

Digital communications: MODBUS over RS-485



Remote Sensor